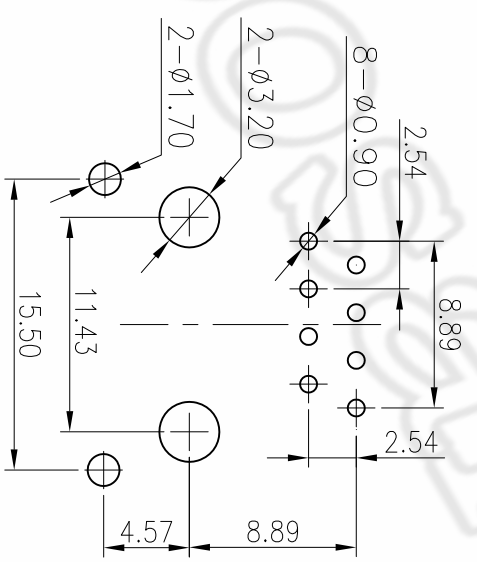
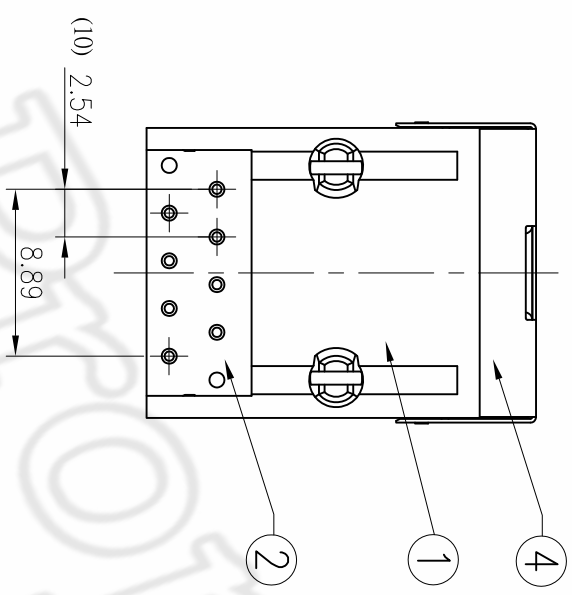
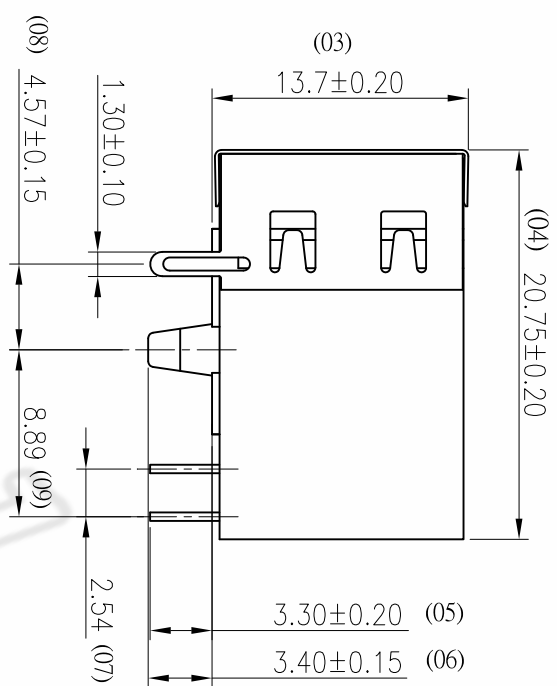
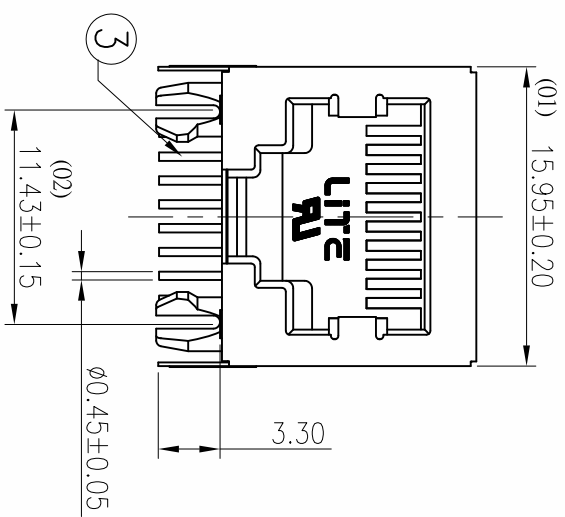
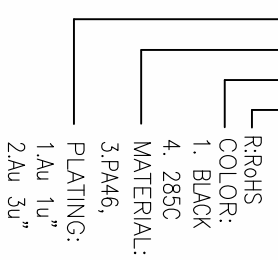


REV	ECONO-	BY	DATE
A0	NEW DWG	莊東	10.10.09



- NOTES:
- MATERIAL:
 - HOUSING&COVER:HIGH TEMPERATURE THERMOPLASTIC WITH 30%G.F.;UL94V-0 COLOR:SEE NOTES 6
 - CONTACT: COPPER ALLOY;T=0.45mm
 - SHELL: COPPER ALLOY
 - FINISH:
 - CONTACT: GOLD PLATING(SEE TABLE) ON CONTACT AREA.
 - SHELL: 1.27um [50u"] MIN. NICKEL UNDERPLATING OVERALL. RECOMMENDED P.C.B THICKNESS 1.6mm
 - OTHER GENERAL SPEC. TO REFER RJ45 SERIES SPEC.
 - FORWAVE SOLDERING LEAD-FREE PROCESS
 - 10511-04112031-X X X X



4	SHELL	SEE PART DRAWING	NI PLATED	
3	CONTACT	SEE PART DRAWING	GOLD PLATED	
2	COVER	SEE PART DRAWING	UL 94V-0	
1	HOUSING	SEE PART DRAWING	UL 94V-0	
NO.	DESCRIPTION	MATERIAL	COLOR	REMARK

CUSTOMER DRAWING
-TOLERANCES-
UNLESS OTHERWISE SPECIFIED



Litecomm Co.,Ltd.

TABLE	10511-04112031-23R	AL3U"	PA46	285C	ROHS
3	10511-04112031-23R	AL3U"	PA46	BLACK	ROHS
2	10511-04112031-13R	AU1U"	PA46	BLACK	ROHS
1	PART NO.	PLATING	MATERIAL	COLOR	ENVIRONMENTAL

APPD:	CHECK:	DWG NO:	DATE	SCALE	UNIT	PAGE
		10511-04112031-XXXX		1:1	MM	1/1
DRAW: 莊東						

COMPLIANCE WITH THE REQUIREMENT ROHS HF SONYY00259 OTHER
*NO USING RESTRICTED AND BANNED SUBSTANCE